

# C.I.P.

# 308 Win.

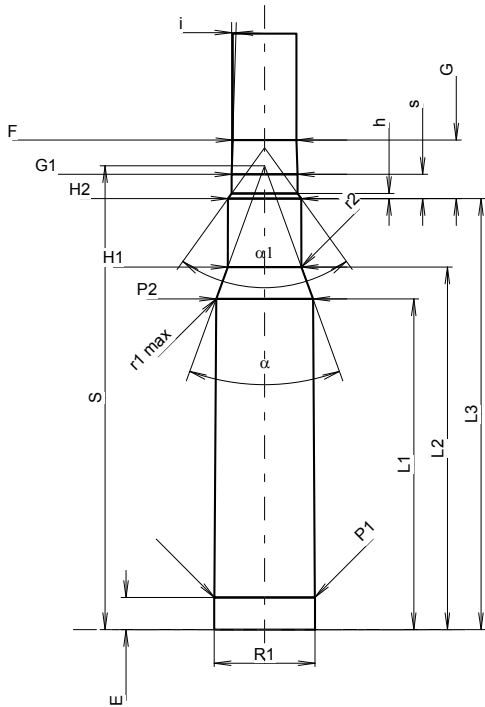
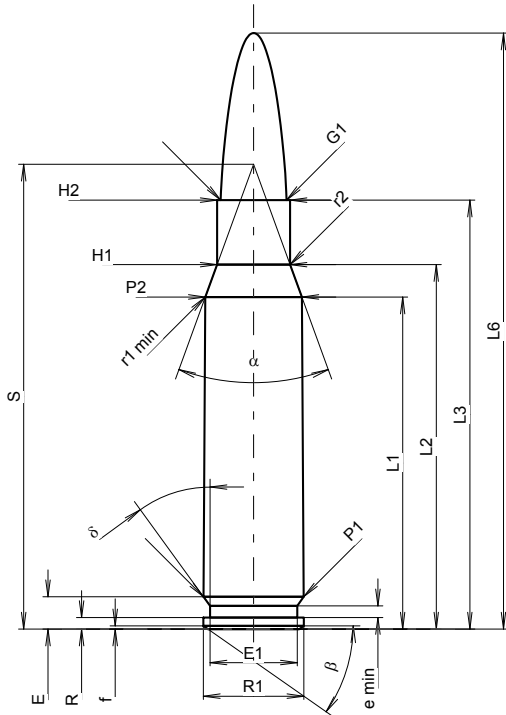
Country of Origin: US

TAB. I

Date 84-06-14

Revision 08-09-23

Alternative Names: 308 Winchester, 7,62 x 51



Scale 1.11:1

### CARTRIDGE MAXI

#### Lengths

L1 1)	=	39.62	-0.20
L2 1)	=	43.48	-0.20
L3 1)	=	51.18	
L4	=		
L5	=		
L6	=	71.12	

#### Case Head

R	=	1.37	
R1	=	12.01	
R3	=		
E	=	3.85	
E1	=	10.39	
e min	=	1.40	
delta	=	36°	
f	=	0.38	
beta	=	35°	

#### Powder Chamber

P1	=	11.96	
P2 1)*	=	11.53	-0.20

#### Junction Cone

alpha *	=	40°	
S *	=	55.46	
r1 min	=	0.76	
r2	=	3.18	

#### Collar

H1 *	=	8.72	
H2 1)	=	8.72	

#### Projectile

G1 1)	=	7.85	
G2	=		
F	=		
L3+G 1)	=	58.16	

#### Pressures (Energies)

##### Method Transducer

Pmax	=	4150 bar	
PK	=	4773 bar	
PE	=	5190 bar	
M	=	25.00	
EE	=	3920 Joule	

#### Miscellaneous Dimensions

Fe 1)3)	=	0.10	
delta L	=	0.10	

### CHAMBER MINI

#### Lengths

L1	=	39.48	
L2	=	43.28	
L3 1)	=	51.44	

#### Breech

R	=		
R1	=	12.03	
R2	=		
R3	=		
r	=		

#### Powder Chamber

E	=	3.85	
P1 1)	=	11.99	
P2 *	=	11.56	

#### Junction Cone

alpha 1)*	=	40°	
S *	=	55.36	
r1 max	=	0.76	
r2	=	3.68	

#### Collar

H1 *	=	8.79	
H2 1)	=	8.74	

#### Commencement of Rifling

G1 1)*	=	7.87	
G 1)	=	6.98	
alpha 1 *	=	71°25'59"	
h	=	0.60	
s	=	2.89	
i 1)*	=	1°45'	
w	=		

#### Barrel

F 1)*	=	7.62	
Z 1)	=	7.82	

#### Grooves

b	=	4.47	
N	=	4	
u	=	305.00	
Q	=	47.51	mm <sup>2</sup>

Dimensions in << mm >>  
Dimensions and Tolerances for Proof Barrels  
see Appendix CR 1.

Notes: 1) Check for safety reasons  
3) Headspace on Shoulder  
\* Basic dimensions